

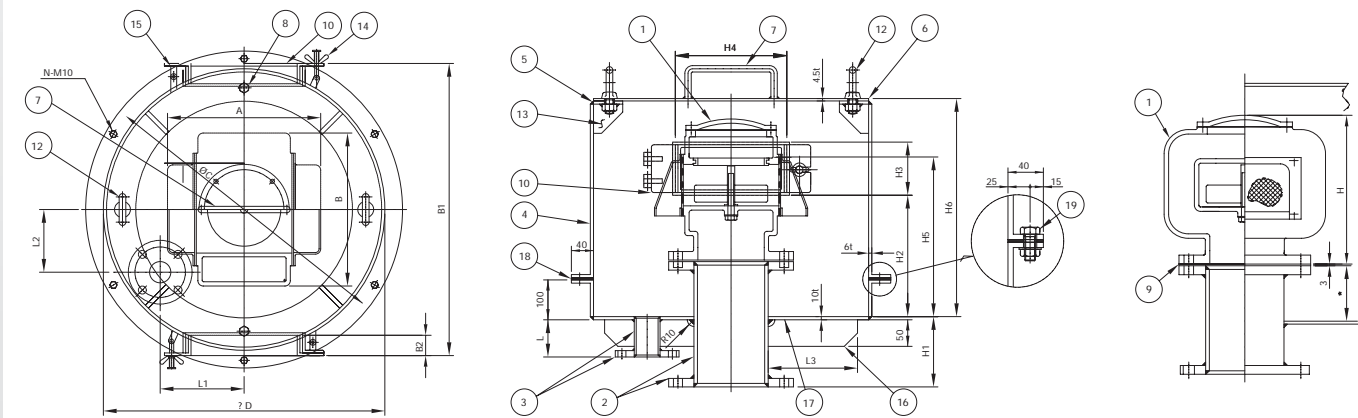
TYPE : OIL COAMING

MATERIAL TABLE

NO	DESCRIPTIONS	MATERIAL	Q'TY	REMARKS	NO	DESCRIPTIONS	MATERIAL	Q'TY	REMARKS
1	AIR PIPE HEAD	FCD 450	1	REF. TO AIR PIPE HEAD(AI-TYPE)	11	LOUVER FRAME	SS 400	2	6t (65A,80A=1EA)
2	CONN. FLG & PIPE(SCH.80)	SS 400	2/1	(300A, 350A=SCH.40)	12	EYE BOLT & NUT	SS 400	2	M16/M20
3	DRAIN FLG & PIPE(SCH.80)	SS 400	1/1	JIS 5K-25A	13	SUPPORT	SS 400	4	8t
4	VENT HEAD BOX	SS 400	1	6t	14	BUTTERFLY BOLT/NUT	SUS 304	2	M12
5	RING PLATE	SS 400	1	8t	15	HINGE	SS 400	4	6t (65A, 80A=2EA)
6	VENT HEAD COVER	SS 400	1	4.5t	16	STIFFENER	SS 400	4	
7	HAND GRIP	SS 400	1	∅16 R.Bar	17	BOTTOM PLATE	SS 400	1	10t
8	HEX. BOLT	SUS 304	2	M10	18	PACKING	NBR	1	3t
9	GASKET	NBR	1	3t	19	HEX. BOLT/NUT/WASHER	SUS 304	N	M10 X 35L
10	LOUVER COVER	SS 400	2	6t (65A, 80A=1EA)					

NOTE : 1 EYE BOLT & UNT = 100A - 125A : M16, 90L
150A - 350A : M20, 120L

2 STIFFENER = 65A - 150A : 6t X 32 (FLAT BAR)
200A - 350A : 9t X 50 (FLAT BAR)



DIMENSION TABLE

Unit : mm

N.D	∅(abt)	A	B	B1	B2	H	H1	H2	H3	H4	H5	H6	L	L1	L2	L1	N	C	ANGLE
5K-65A	310	209	146	340	38	226	150	235	80	180	232	350	70	108	62	90	4	348	50X6t
5K-80A	350	247	156	390	38	266	150	255	80	180	262	390	70	125	72	90	4	388	50X6t
5K-100A	350	241	250	390	38	238	150	225	80	180	258	375	70	120	70	90	4	388	50X6t
5K-125A	390	288	288	420	38	266	150	245	100	210	303	427	70	142	82	90	6	428	50X6t
5K-150A	470	346	330	490	38	302	150	278	120	240	351	480	70	163	95	110	6	508	50X6t
5K-200A	600	454	432	640	50	382	150	330	160	330	422	585	80	210	122	150	8	638	75X6t
5K-250A	700	547	546	730	50	452	150	386	200	370	495	680	80	257	150	170	8	738	75X6t
5K-300A	840	658	616	860	50	530	150	440	240	430	570	780	80	298	170	210	10	878	75X6t
5K-350A	940	757	714	960	50	600	150	500	280	462	652	880	80	340	198	240	10	978	75X6t

REMARK : FLANGE TO BE JIS 5K FLANGES.

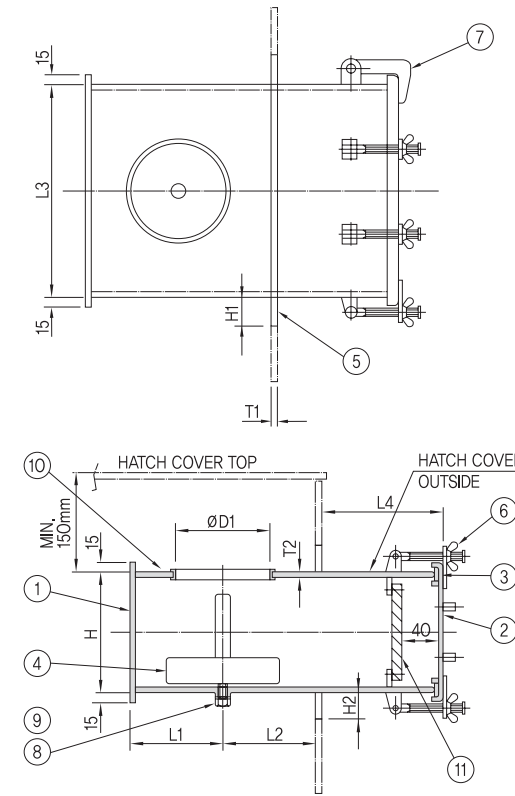


TYPE : HATCH

MATERIAL TABLE

NO	DESCRIPTIONS	MATERIAL
1	BODY	SS 400
2	COVER	SS 400
3	PACKING	NBR
4	DISC	SUS 304
5	PAD	SS 400
6	EYE BOLT	BsBF
7	HINGE	SS 400
8	GUIDE BOLT	SUS 304
9	SPRING WASHER	SS400
10	GASKET	NBR
11	NET	SS400

OTHER PROPER MATERIAL MAY BE USED ON SPECIAL REQUEST

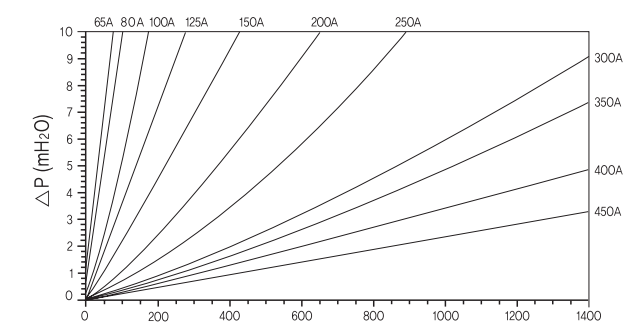


DIMENSION TABLE

Unit : mm

NOMINAL DIA		∅ D1	L1	L2	L3	L4	H	H1	H2	T1	T2	REMARK
INCH	mm											
10"	250A	235	188	188	376	150	190	50	55	8	8	
12"	300A	323	210	210	420	150	190	50	55	8	8	
14"	350A	339	232	232	500	150	210	50	55	8	8	
16"	400A	391	254	254	530	150	240	50	55	8	8	
18"	450A	442	289	289	570	150	300	50	55	14	10	

FLOW RESISTANCE CURVE GRAPH



Flowrate(m³/hr) ΔP vs. Flowrate Curve of Air Vent Head for over flow

KWANG SAN CO., LTD.
 HEAD OFFICE & FACTORY
 #1173-2 Jisa-Dong, Gangseo-Gu, Pusan, Korea 618-230.
 tel. 82-51-974-6301(rep) fax. 82-51-974-6305
 www.kwangsan.com
 e-mail : kwangsan@kwangsan.com

AIR VENT HEAD



KEY WORD FOR OUR AIR VENT HEAD

ADVANTAGE

MATERIAL & DIMENSION TABLE

TYPE APPROVAL CERTIFICATES



KEY WORD FOR OUR AIR VENT HEAD

In designing a ventilating system, the designer are to get a straight pipe line as possible, avoiding all other construction which may cause excessive pressure losses.

In this regards, the cross-sectional areas of our air vent head has been considered so as to be large enough to permit the air to flow at moderate velocities, keeping smaller volume and weight.

Our design can contribute much to economy of system operation.

Abrupt changes in vent size or direction airflow are always to be considered.

ADVANTAGE

- The testing result of momentary tightness of the disc shows excellent in the worst condition (40° inclining)
- The compact simple figure requires small area
- Light weight will help easy handing and have the advantage of lighting the ship
- Our disc has been devised not to occur crack or damage in repeated reciprocating motion, sit means our AIR VENT HEAD will not bring after service problem in a longer actual seagoing



DISC TYPE



BALL TYPE(STEAM JACKET)



BALL TYPE



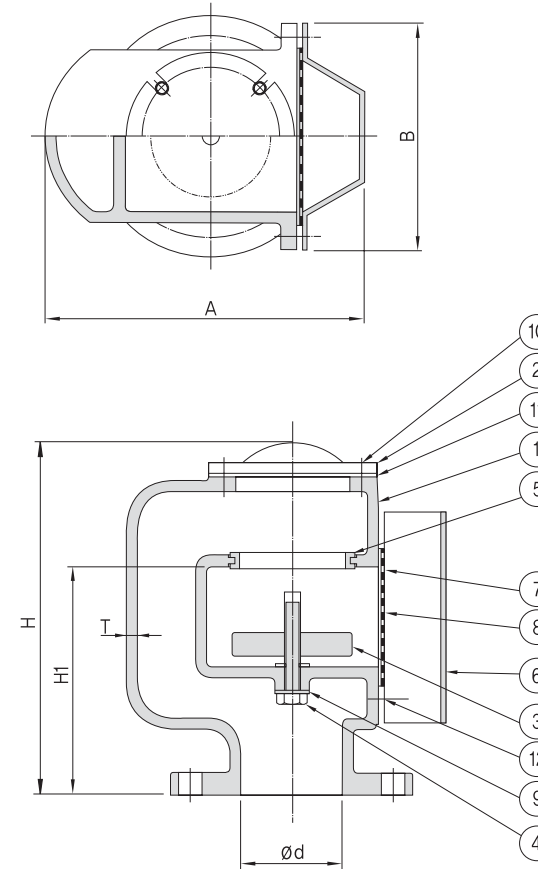
OIL COAMING TYPE

TYPE : DISC-A

MATERIAL TABLE

NO	DESCRIPTIONS	MATERIAL
1	BODY	FCD 450
2	TOP COVER	FCD 450
3	DISC	SUS 304
4	GUIDE BAR	SUS 304
5	SEAT PACKING	NBR
6	SCREEN COVER	SS 400
7	WIRE NET	SUS 304
8	NET FRAME	SS 400
9	PACKING	NBR
10	HEX BOLT & WASHER	SUS 304
11	PACKING	NBR
12	HEX. BOLT	SUS 304

OTHER PROPER MATERIAL MAY BE USED ON SPECIAL REQUEST



DIMENSION TABLE

NOMINAL DIA		ød	A	B	H	H1	T	APPROX W. (kg)
INCH	mm							
2"	50A	50	177	135	197	127	7	10.4
2 1/2"	65A	65	203	146	226	146	7	12.5
3"	80A	80	231	156	266	176	7	14.4
4"	100A	100	241	250	238	160	8	18
5"	125A	125	266	288	266	180	8	28
6"	150A	150	312	330	302	208	9	39
8"	200A	200	390	432	382	269	9	74
10"	250A	250	471	546	452	314	9	105
12"	300A	300	550	616	530	367	10	146
14"	350A	350	611	714	600	415	12	199
16"	400A	400	663	749	670	475	12	276
18"	450A	450	756	836	720	486	14	312

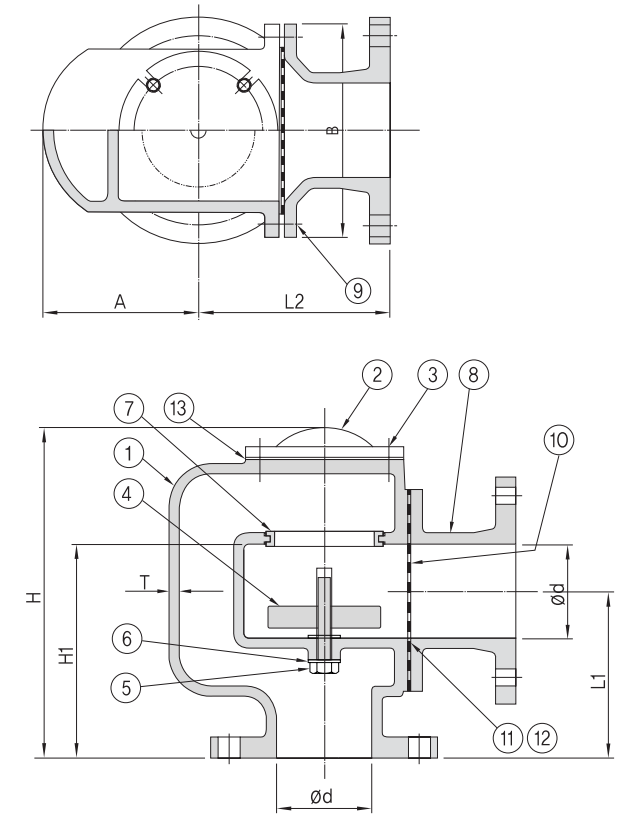
NOTE : THE ABOVE FLANGE CONNECTION SHOWS JIS 5kg / cm² BUT OTHERS SUCH AS ANSI, BS, DIN CAN BE AVAILABLE ON REQUEST.

TYPE : DISC-B

MATERIAL TABLE

NO	DESCRIPTIONS	MATERIAL
1	BODY	FCD 450
2	TOP COVER	FCD 450
3	HEX BOLT & WASHER	SUS 304
4	DISC	SUS 304
5	GUIDE BAR	SUS 304
6	PACKING	NBR
7	SEAT PACKING	NBR
8	PIECE	FCD 450
9	HEX BOLT & WASHER	SUS 304
10	WIRE NET	SUS 304
11	NET FRAME	SS 400
12	PACKING	NBR
13	TOP PACKING	NBR

OTHER PROPER MATERIAL MAY BE USED ON SPECIAL REQUEST



DIMENSION TABLE

NOMINAL DIA		ød	A	B	L1	L2	H	H1	T	APPROX W. (kg)
INCH	mm									
2"	50A	50	91	135	97	120	197	127	7	14.2
2 1/2"	65A	65	106	146	114.5	130	226	146	7	17
3"	80A	80	127	156	138	150	266	176	7	19.5
4"	100A	100	86	250	142	185	238	160	8	26
5"	125A	125	98	288	164.5	210	266	180	8	38
6"	150A	150	117	330	192	240	302	208	9	54
8"	200A	200	146	432	244	270	382	269	9	93
10"	250A	250	172	546	287	320	452	314	9	129
12"	300A	300	202	616	327	350	530	367	10	175
14"	350A	350	225	714	384	380	600	415	12	236

NOTE : THE ABOVE FLANGE CONNECTION SHOWS JIS 5kg / cm² BUT OTHERS SUCH AS ANSI, BS, DIN CAN BE AVAILABLE ON REQUEST.